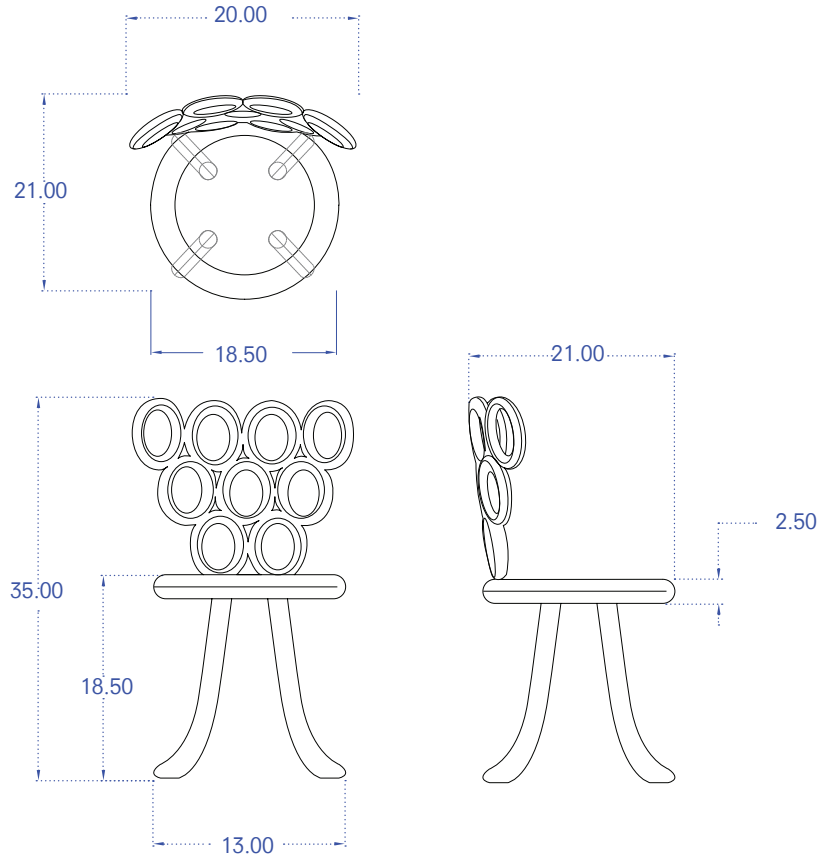




Bangle
Featured: Blacknut on Cast Bronze Legs, Ebonized Finish



Bangle Chair (Cast Bronze)

Hand carved in West Africa, utilizing centuries old techniques, this chair is produced by the royal family of the Bamun tribe in Cameroon. Carved from the trunks of coffee shade trees which are brought down by the carvers at the request of the farmers when they become over grown, this chair brings artisans and agriculture together to enrich one another. The pattern speaks of the circle of life and unity which this chair brings to any space.

- Blacknut Seat
- Cast Bronze Legs
- Ebonized or Painted Seat
- Natural Finish Legs
- Additional \$300 for Painted Finish

18"H x 60"L x 14"W \$5,400

Typical lead time is 2-3 weeks and dependent upon stock.
Rush lead times are available with a 15% up charge to the order.