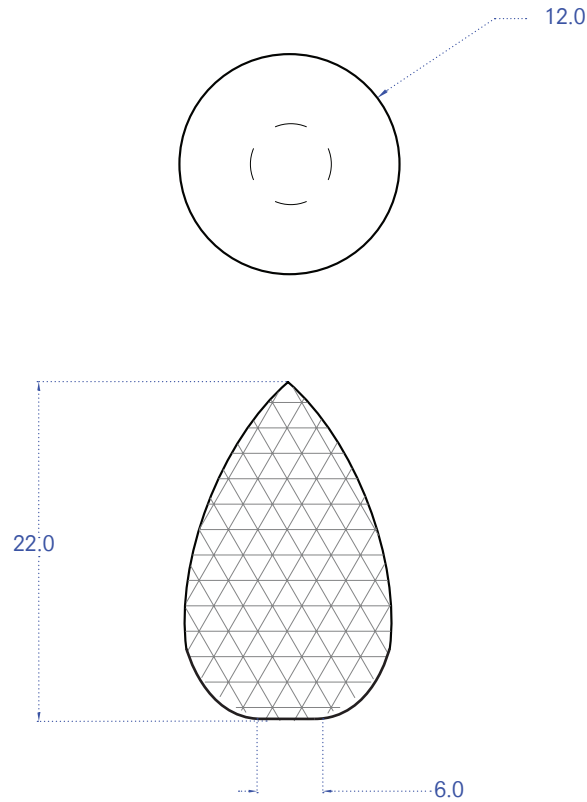




Votive Shades
Featured: Woven Rattan with Walnut Stain



Votive Light Shade

Domestic use of rattan is as old as human inhabitation of tropical forests around the world. Used here by the Toraja women of Sulawesi, Indonesia originally to create fishing baskets and repurposed as a light shade, these baskets continue to provide for the Sulawesi families by catching light instead of fish.

Woven Rattan
 Additional \$150 per color for Painted Finish

22"H x 12"Dia \$720