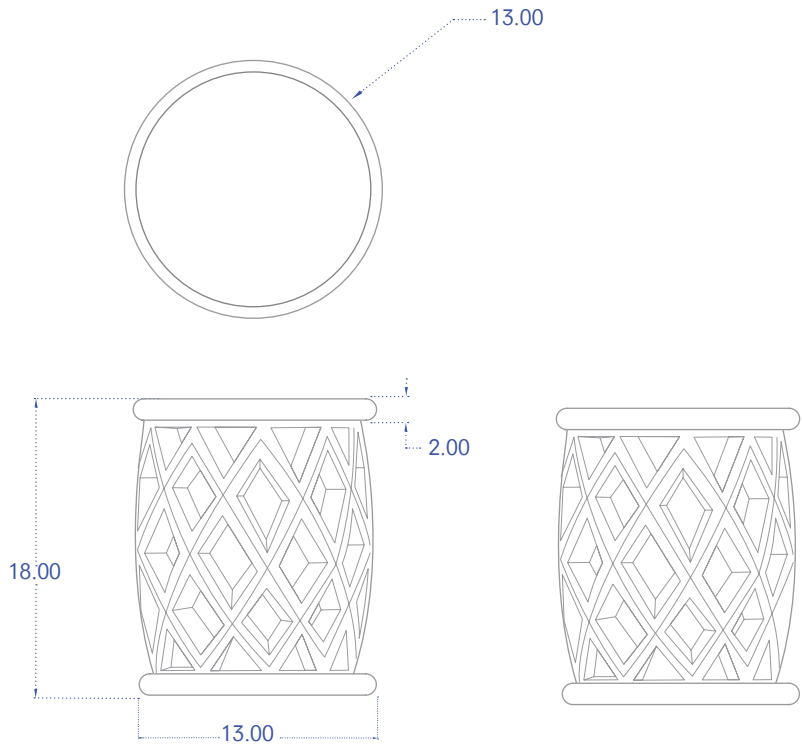




Lattice
Featured: Ebonized Blacknut



Lattice SideTable/Stool

Hand carved in West Africa, using centuries old techniques, this stool is produced by the royal family of the Bamun tribe in Cameroon. Carved from the trunks of coffee shade trees which are brought down by the carvers at the request of the farmers when they become over grown, this stool brings artisans and agriculture together to enrich one another. Seeking a more modern approach to the original Spider’s Nest table, Tucker worked with the carvers to create a more minimalist version. The pattern speaks of the web the female mother spider wove that caught creation.

Blacknut		Heights and Prices Vary
Ebonized or Painted	12" Dia and under	\$1,500
Additional \$300 for Single Paint Color	13" - 18" Dia	\$2,100
Additional \$600 for 2 Tone Colors	19" - 21" Dia	\$2,700