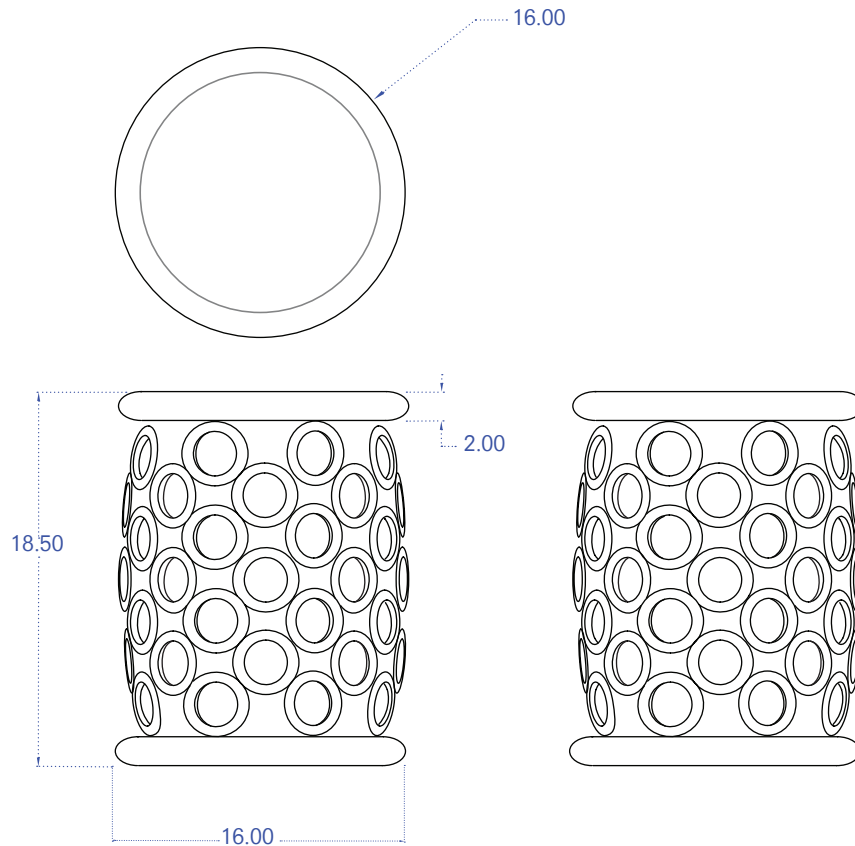




Porcelain Bangle
Featured: Gold



Porcelain Bangle

Reinterpreted in Peruvian porcelain from the royal family of the Bamun tribe in Cameroon, the pattern represents the universal circle of life as well as unity within the community. Assisted by Aid to Artisans and funded by USAID money, Tucker helped found the porcelain workshop that produces his pieces as a way to give the people of Peru meaningful, fulfilling jobs to dispel the strife of civil war.

White, Cobalt Blue, Brown,
Espresso, Red, Celadon,
Graphite, Gold or Platinum

Color Glaze
Gold or Platinum

18.5"H x 16" Dia

\$1,980

\$3,450