

TUCKER ROBBINS



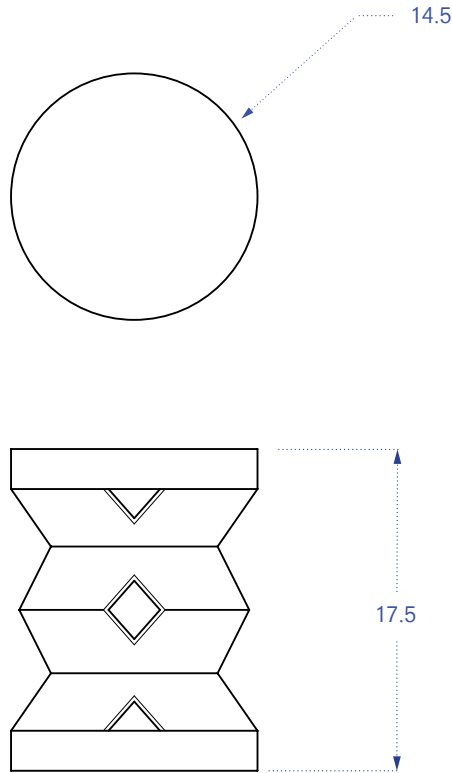
Porcelain Hollow Zig Zag  
Featured: Robin's Egg Blue Glaze

T: 212.355.3383  
F: 212.355.3116

[www.tuckerrobbins.com](http://www.tuckerrobbins.com)

200 Lexington Ave Suite 504  
New York, NY 10016

TUCKER ROBBINS



## Porcelain Hollow Zig Zag

Originally derived from the Mayan church columns of Chajul, Guatemala, this form was reinterpreted first in wood by the carvers of the Oku tribes of Cameroon and then in porcelain by ceramic artisans in Peru. The zig-zag form can be found throughout the world's ancient cultures; each artisan has interpreted the form in a unique way reflection their own culture.

Assisted by Aid to Artisans and funded by USAID money, Tucker helped found the porcelain workshop that produces his pieces as a way to give the people of Peru meaningful, fulfilling jobs to dispel the strife of civil war.

White, Cobalt Blue,  
and Robin's Egg Blue

17.5"H x 14.5"Dia \$1,980

Suitable for indoors and outdoors in wet or dry locations. Typical lead-time is 1-2 weeks for pieces in stock.  
Listed lead-times are intended as a guideline. For current information please contact us . .