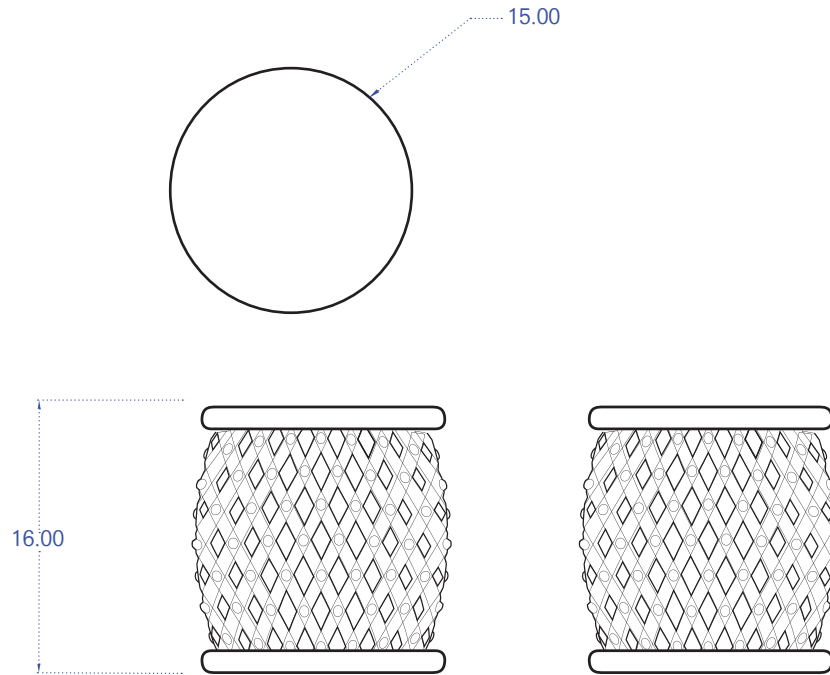




Porcelain Spider's Nest
Featured: Gold



Porcelain Spider's Nest

Reinterpreted in Peruvian porcelain from the royal family of the Bamun tribe in Cameroon, the pattern speaks of their creation story where it was the female spider who wove the web which caught creation. Assisted by Aid to Artisans and funded by USAID money, Tucker helped found the porcelain workshop that produces his pieces as a way to give the people of Peru meaningful, fulfilling jobs to dispel the strife of civil war.

White, Cobalt Blue, Brown,
Espresso, Red, Celadon,
Graphite, Gold or Platinum

Color Glaze
Gold or Platinum

16" H x 15" Dia
\$1,980
\$3,450