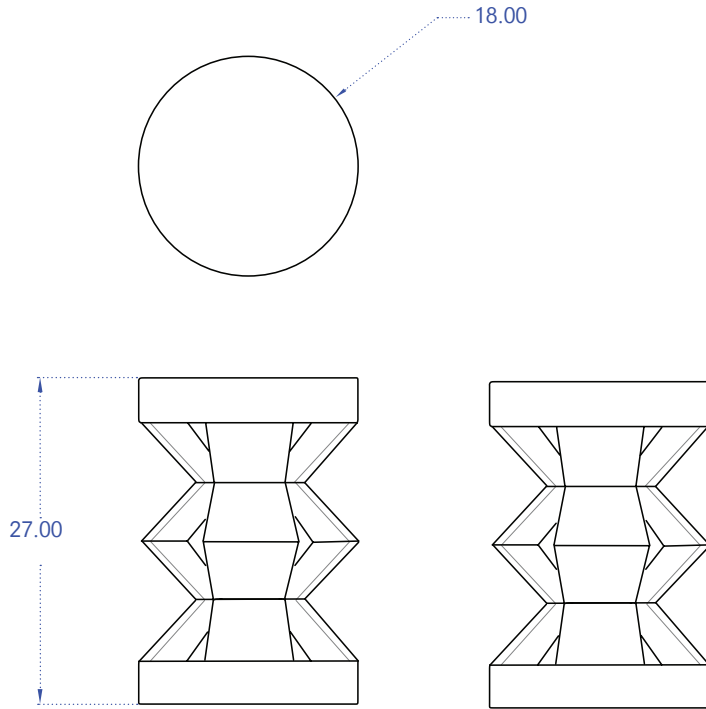




Hollow Zig Zag
Featured: Blacknut, White & Ebonized Finish



Size C

Hollow Zig Zag Side Table/Stool

Forms derived from the Mayan church columns of Chajul, Guatemala are reinterpreted by the master carvers of the Oku tribes in the African grasslands of Cameroon. Evoking the storytelling of the ancient Maya, this form is beautiful as a stand alone piece and adapts itself easily as a pedestal base conferring an airy, primal energy to any space.

Blacknut

Ebonized or Painted

Additional \$300 for Painted Finish

Additional \$600 for 2 Tone Paint Colors

Size A: 18"H x 14"Dia

Size B: 24"H x 17.5"Dia

Size C: 27"H x 17.5"Dia

\$3,300

\$3,900

\$5,100